

Company: _____ Requirer: _____

Phone: _____ Ext. _____ E-Mail: _____

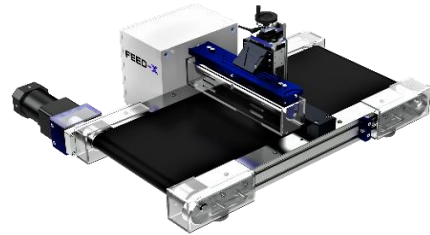
Type of Conveyor



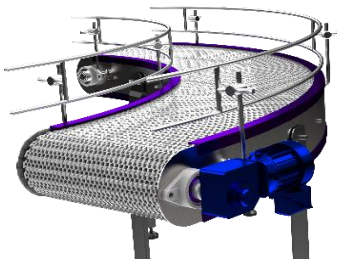
Motorized Roller Conveyor



Indexed Conveyor



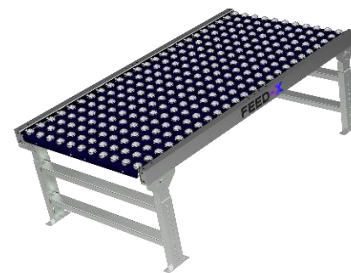
Belt Conveyor



Chain Conveyor



Belt Link Conveyor



Roller Ball Conveyor



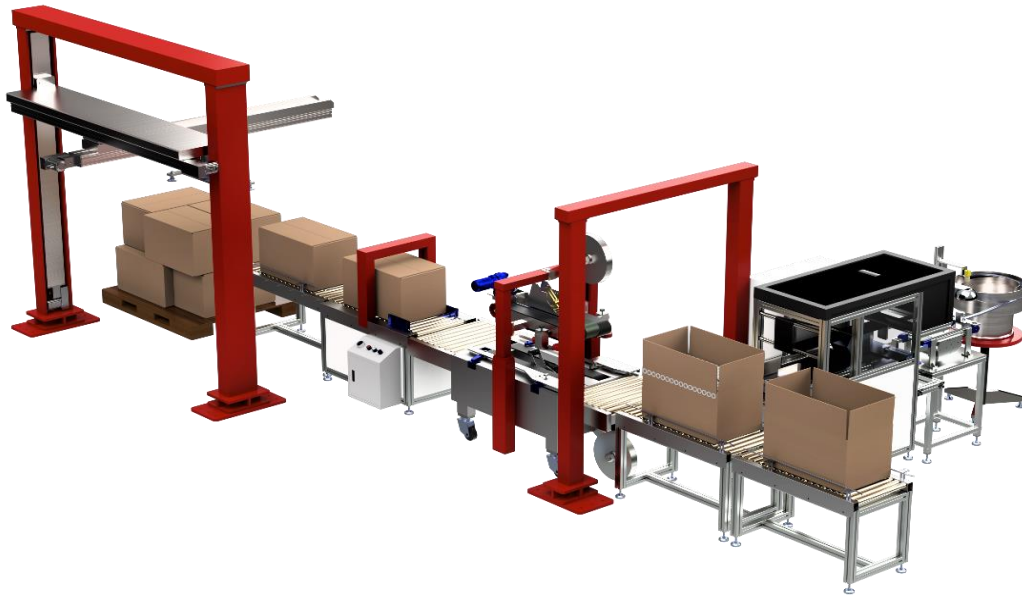
Gravity Conveyor



Custom Conveyor



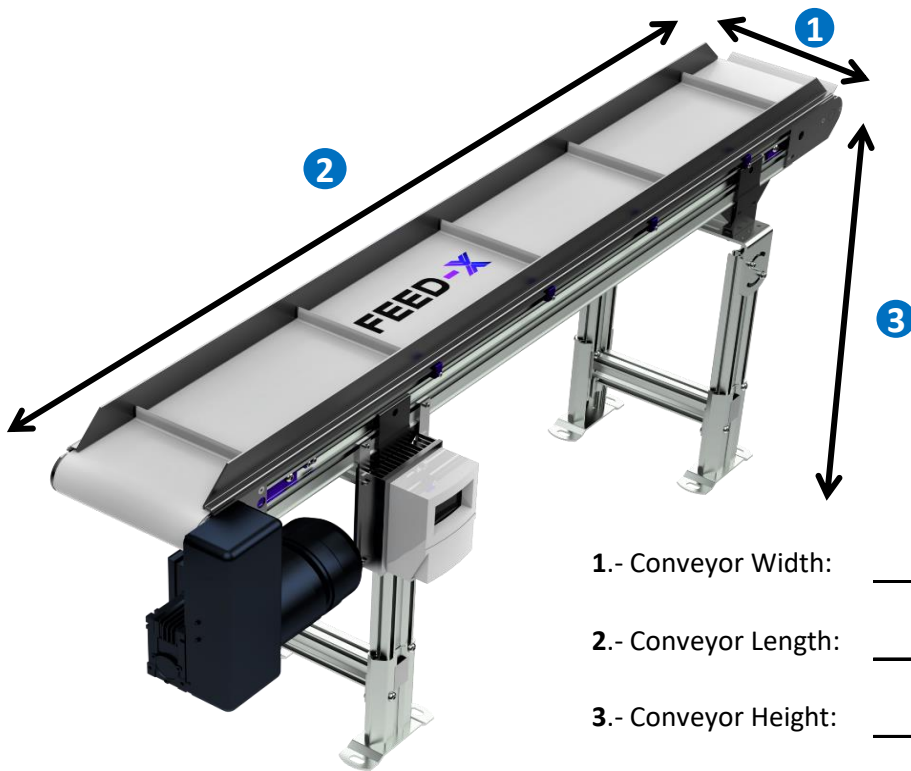
Elevator Conveyor



Production Line Conveyor



Dimensions



1.- Conveyor Width: _____ mm

2.- Conveyor Length: _____ mm

3.- Conveyor Height: _____ mm

• Product Weight: _____ kg

• Feed Speed: _____ m/s

Electric Specifications

- **Voltage**

110 v

220 v

440 v

- **Electric Supply**

Three-Phase

Single-Phase